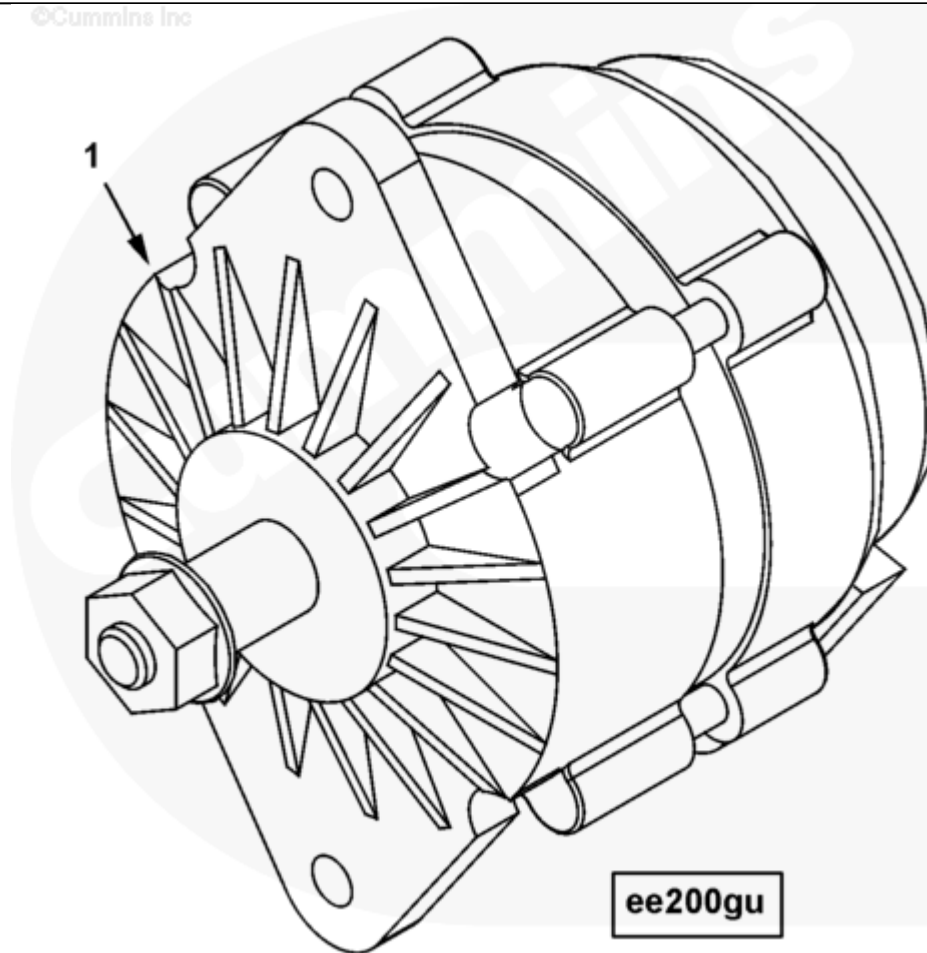




## Parts Catalog - Option Detail

Electronic Parts Catalog - Option Detail				
Option	Group	Graphic	Film Card	Date
EE2072-04	13.02	ee200gu	II	21-NOV-11
<b>Engines</b>	ISM CM570, ISM CM570/870, ISM CM875, ISM CM876, ISM CM876 E, ISM11 CM876 M103, ISM11 CM876 SN, M11 CELECT, M11 CELECT PLUS, M11 MECHANICAL, QSM11 CM570, QSM11 CM876			

©Cummins Inc



ee200gu



[SMALL](#) | [MEDIUM](#) | [LARGE](#)

Cart	Ref No	Part Number	Part Description	Required	Remarks
<a href="#">View My Cart</a>					
		<a href="#">EE2072-04</a>	Alternator		
					Alternator
					Quantity: One
					Manufacturer/Model/Type:

					Delco Remy 24 SI375
					Volts: 24
					Amps: 70
					Alternator Grounding
					Provision: Frame Ground
					Only
					Sealing Provision: No
					Ground Wire Supplier:
					Customer
					Alternator Length: 234mm
					(9.21 in.)
					Charging System: 1
					Wire Battery Terminal:
					5/16 D, R, or P
					Terminal:
					Packard Metripack Terminal I
					or I
					Terminal:
					Packard Metripack Terminal
					Cummins Branded: Yes
					Alternator Mounting Style: 4
					Inch Double Lug
					Alternator Cooling: Dual
					Internal Fan
					Voltage Regulator: Built In.
<input type="checkbox"/>	1	5282841	Alternator	1	